

Profec Ball valve PVC-U 2" imperial glue socket 10bar white type Imperial 2000 (0169997)



TECHNICAL SPECIFICATIONS

Colour	white
Type	Imperial 2000
Material	PVC-U
Operation	lever
Colour lever	red
Handle material	PVC-U
Housing construction	3-part
Ball material	PVC-U
Material housing	PVC-U
Material seal	PE/EPDM
Connection	imperial glue socket
Max. temperature	60 °C
Minimum medium temperature (continuous)	0 °C
Pressure	10 bar
Size	2"

DIMENSIONS

Lb 192 mm

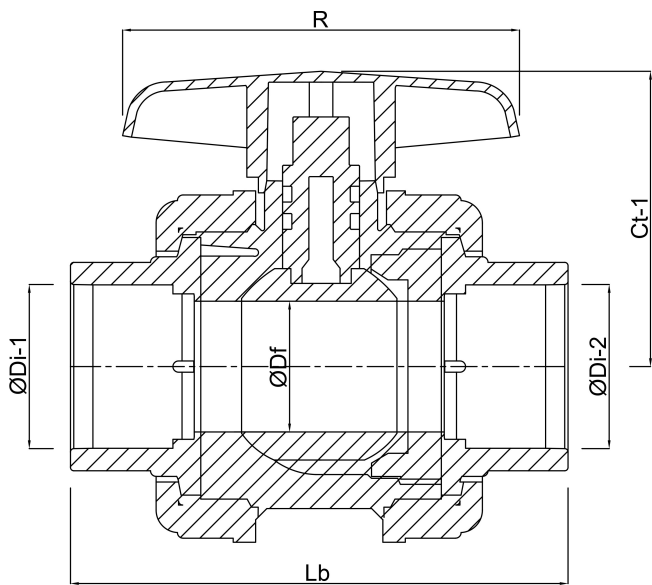
ØDi-1 2 "

ØDi-2 2 "

Ct-1 99 mm

R 157 mm

ØDf 50 mm



Last modified date: 31/10/2025

Bosta UK Ltd.
Reflection House
Olding Road
Bury St. Edmunds

Suffolk
IP33 3TA
T +44 (0) 1284 716580
E enquiries@bosta.co.uk
<http://www.bosta.com>