

**Pressure set stainless steel 304  
1" female thread 3,2A 230VAC  
blue 60ltr type AJ 50/60 - 24  
(7031130)**



# TECHNICAL SPECIFICATIONS

|                                   |                       |
|-----------------------------------|-----------------------|
| Colour                            | blue                  |
| Material                          | stainless steel 304   |
| Pump body                         | stainless steel 304   |
| Material impeller 1               | noryl                 |
| Voltage                           | 230VAC                |
| Max. temperature                  | 40 °C                 |
| Type                              | AJ 50/60 - 24         |
| MWC                               | 50 m                  |
| Tank                              | 19,5ltr ltr           |
| Size                              | 1"                    |
| Connection                        | female thread         |
| Power                             | 1.1 kW                |
| Impellers                         | 1                     |
| Ampere                            | 3,2 A                 |
| Max flow rate                     | 3.6 m <sup>3</sup> /h |
| Maximum ambient temperature 40 °C |                       |
| BEP Capacity                      | 2.4                   |

BEP Head 31

PORlh 19

PORhh 50

PORlq 0.6

PORhq 3.6

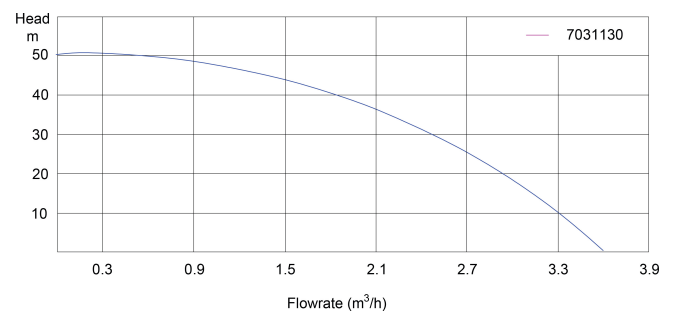
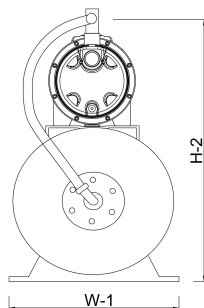
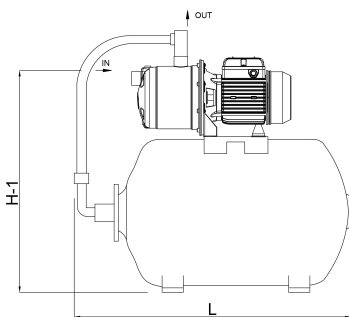
## DIMENSIONS

H-1 500 mm

H-2 550 mm

L 425 mm

W-1 270 mm



## PRODUCT INFORMATION

Assembled press control. Supplied with 1.5m cable and DIN plug.

**Last modified date: 08/05/2026**

Bosta UK Ltd.  
Reflection House  
Olding Road  
Bury St. Edmunds  
Suffolk  
IP33 3TA  
T +44 (0) 1284 716580  
E [enquiries@bosta.co.uk](mailto:enquiries@bosta.co.uk)  
<http://www.bosta.com>