

**Profec Flange threaded steel
zinc plated DN125 x 5" DIN
flange x female thread DN125
PN10/16 (1080219)**



TECHNICAL SPECIFICATIONS

Material	steel
Surface treatment	zinc plated
Connection	DIN flange x female thread
DIN Standard	DIN 2566
Flange	PN10/16
Size	DN125 x 5"
Bolt	M16
DN	125
Diameter	139,7 mm
Outer ø	250 mm
Weight	6.13 kg
Thickness	22 mm
Bolt hole	18 mm
Holes	8

DIMENSIONS

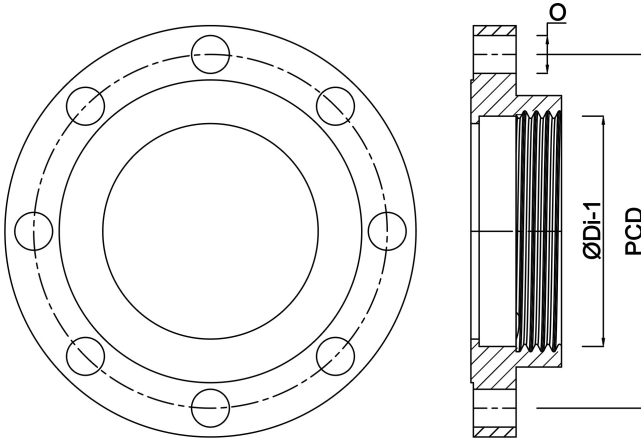
ØDi-1	5 "
-------	-----

PCD

210 mm

O

18 mm



Last modified date: 05/11/2025

Bosta UK Ltd.
Reflection House
Olding Road
Bury St. Edmunds
Suffolk
IP33 3TA
T +44 (0) 1284 716580
E enquiries@bosta.co.uk
<http://www.bosta.com>