

**Foras Multi-stage centrifugal  
pump stainless steel 304 1"  
female thread 7bar 5,1A  
230VAC blue type P 3S-120/6 M  
(0920602)**



# TECHNICAL SPECIFICATIONS

Colour	blue
Material	stainless steel 304
Pump body	stainless steel 304
Material impeller 1	stainless steel 304
Material seal	ceramic/graphite
Connection	female thread
Max. temperature	110 °C
Minimum medium temperature (continuous)	-15 °C
Max flow rate	4.8 m <sup>3</sup> /h
Press	1 "
Suction	1 "
BEP Capacity	3.2
Efficiency	39 %
Type	P 3S-120/6 M
Output Power	1,2 HP
MWC	66,6 m

Size	1"
Seal	type L
Voltage	230VAC
Weight	12.5 kg
Power	0.9 kW
Impellers	6
Ampere	5,1 A
BEP Head	36

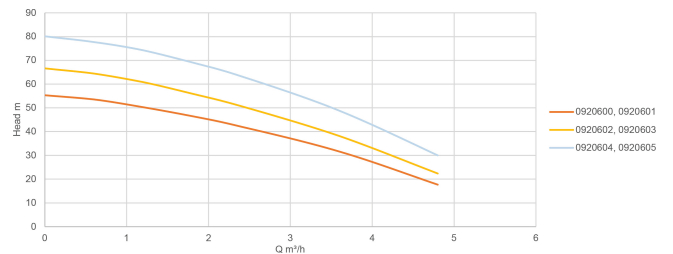
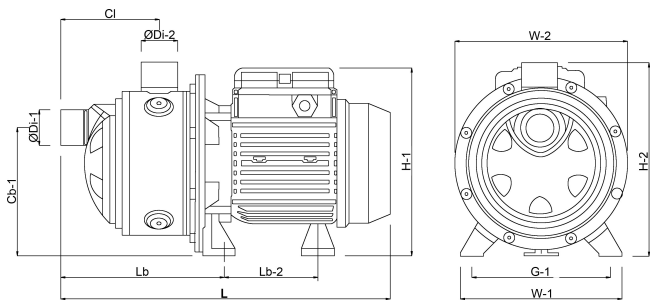
## DIMENSIONS

Cb-1	128 mm
Cl-1	175 mm
G-1	140 mm
H-1	203 mm
H-2	192 mm
L	428 mm
Lb	190,8 mm
Lb-2	104,7 mm
W-1	164 mm

W-2 178 mm

ØDi-1 1 "

ØDi-2 1 "



## PRODUCT INFORMATION

Stainless steel multistage horizontal pumps. Pumping of clean non-loaded fluids in the domestic, agricultural and industrial sectors; pressurising systems; irrigation; drinking and glycol water; water treatment; food industry; heating and air conditioning; washing system.

Maximum liquid temperature: from -15 up to 110 °C

Ambient temperature: max 40 °C.

Insulation class F; protection IP 44.

Supplied without cable.

**Last modified date: 08/05/2026**

Bosta UK Ltd.  
Reflection House  
Olding Road  
Bury St. Edmunds  
Suffolk  
IP33 3TA  
T +44 (0) 1284 716580  
E [enquiries@bosta.co.uk](mailto:enquiries@bosta.co.uk)  
<http://www.bosta.com>