

**Profec Ball valve single union
PVC-U 2" imperial glue socket
10bar grey type Safe 525
(0169933)**



TECHNICAL SPECIFICATIONS

Colour grey

Type Safe 525

Material PVC-U

Operation lever

Colour lever red

Handle material PVC-U

Housing construction 2-part

Ball material PVC-U

Material housing PVC-U

Material seal hytrel/EPDM

Connection imperial glue socket

Max. temperature 60 °C

Minimum medium temperature 0 °C
(continuous)

Size 2"

Pressure 10 bar

DIMENSIONS

Lb 172 mm

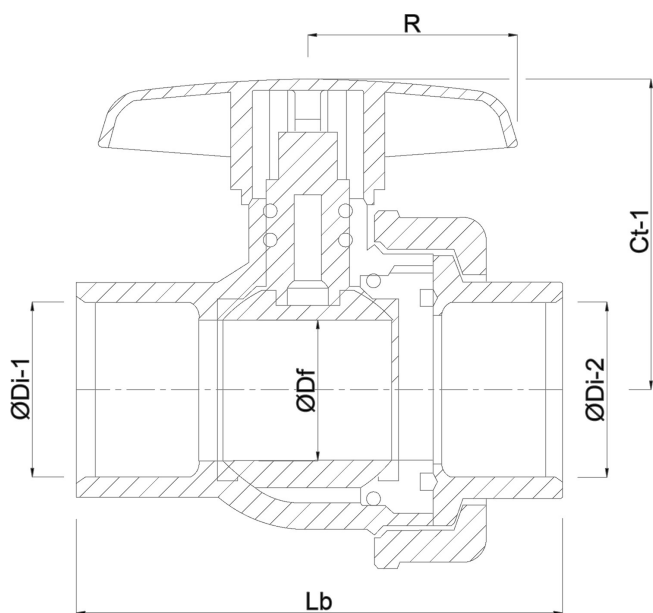
ØDi-1 2"

ØDi-2 2"

Ct-1 107 mm

R 74 mm

ØDf 57.5 mm



PRODUCT INFORMATION

With secured ball.

Last modified date: 12/02/2026

Bosta UK Ltd.
Reflection House
Olding Road
Bury St. Edmunds
Suffolk
IP33 3TA
T +44 (0) 1284 716580
E enquiries@bosta.co.uk
<http://www.bosta.com>