

Profec Ball valve brass nickel plated 3/4" female thread 25bar type 108 (0401376)



TECHNICAL SPECIFICATIONS

Type	108
Material	brass
Surface treatment	nickel plated
Operation	lever
Colour lever	red
Handle material	steel
Housing construction	2-part
Ball material	hard chrome plated brass
Material housing	brass
Material seal	PTFE
Connection	female thread
Flow	full
Temperature range	-20°C - 180°C
Pressure	25 bar
Size	3/4"

DIMENSIONS

Handle height 57

Lb 60 mm

ØDi-1 3/4 "

ØDi-2 3/4 "

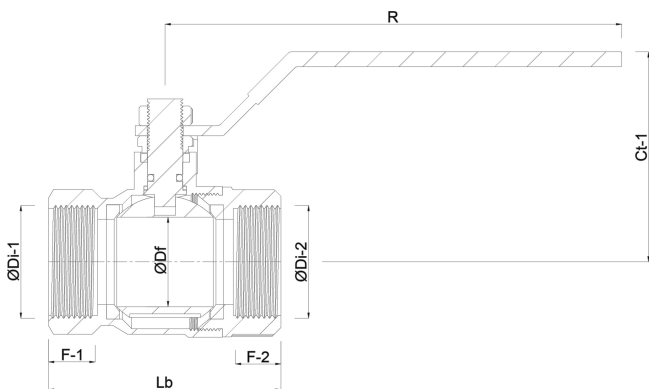
F-1 12.5 mm

F-2 12.5 mm

Ct-1 55 mm

R 101.5 mm

ØDf 20 mm



PRODUCT INFORMATION

With drain valve.

Last modified date: 04/11/2025

Bosta UK Ltd.
Reflection House
Olding Road
Bury St. Edmunds
Suffolk
IP33 3TA
T +44 (0) 1284 716580
E enquiries@bosta.co.uk
<http://www.bosta.com>