

**Profec Nr. 280 Nipple cast iron
galvanised 1/8" male thread
25bar DVGW (1028001)**



TECHNICAL SPECIFICATIONS

Material cast iron

Surface treatment galvanised

Approval DVGW

Connection male thread

Fitting nr. Nr. 280

Temperature range -20°C - 120°C

Pressure 25 bar

Size 1/8"

DIMENSIONS

L 31 mm

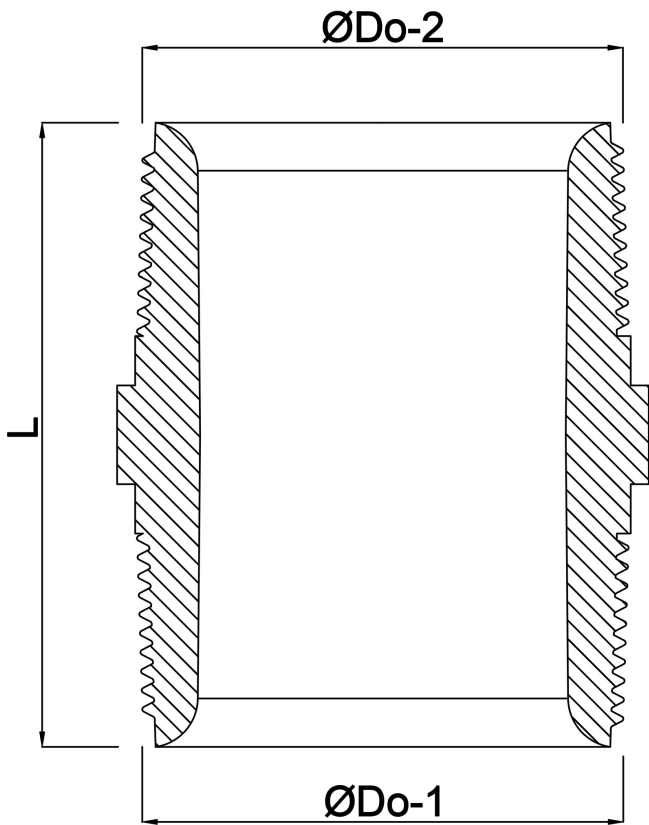
ØDo-1 1/8 "

ØDo-2 1/8 "

F-1 9 mm

F-2 9 mm

K-1 16 mm



Last modified date: 05/11/2025

Bosta UK Ltd.
Reflection House
Olding Road
Bury St. Edmunds
Suffolk
IP33 3TA
T +44 (0) 1284 716580
E enquiries@bosta.co.uk
<http://www.bosta.com>