

# Pentair Sand filter fibreglass reinforced polyester 1 1/2" female thread 2,5bar blue type Triton® F-24S8-NEO-CP (7021211)



# TECHNICAL SPECIFICATIONS

Colour	blue
Material	fibreglass reinforced polyester
Connection	female thread
Pressure	2,5 bar
Max. temp.	50 °C
Type	Triton® F-24S8-NEO-CP
Capacity	14 m <sup>3</sup> /h
Gravel	50 kg
Size	1 1/2"
Diameter	610 mm
Weight	18.4 kg
Sand	100 kg
Filter area	0.29 m <sup>2</sup>
Max flow rate	14 m <sup>3</sup> /h
Max. pool vol.	70 m <sup>3</sup>

## DIMENSIONS

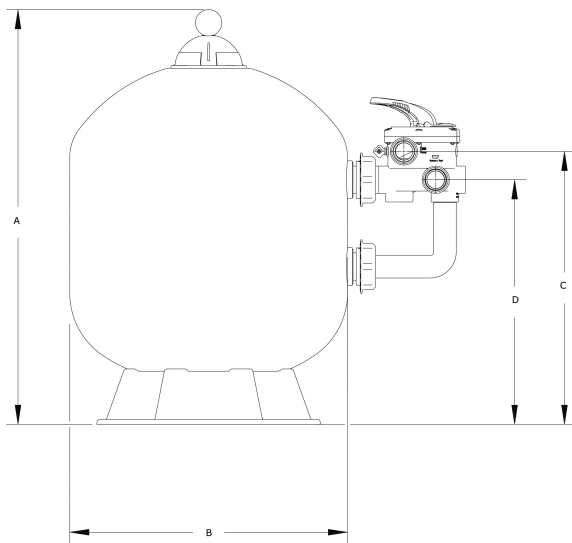
B 24 " inch

A 915 mm

B 610 mm

C 592 mm

D 530 mm



## PRODUCT INFORMATION

One-piece, fibreglass-reinforced tank with UV-resistant coating.

With side-mount 6-way valve.

Switch off the pump before each lever action.

Warranty period: Tank 10 years

**Last modified date: 06/11/2025**

Bosta UK Ltd.  
Reflection House  
Olding Road  
Bury St. Edmunds  
Suffolk  
IP33 3TA  
T +44 (0) 1284 716580  
E [enquiries@bosta.co.uk](mailto:enquiries@bosta.co.uk)  
<http://www.bosta.com>