

**DAB Submersible pump  
reinforced plastic 1" male  
thread 0,9A 230VAC green  
type Nova UP 180 M-A with  
float switch (7030941)**



# TECHNICAL SPECIFICATIONS

Colour green

Material reinforced plastic

Pump body technopolymer

Material impeller 1 technopolymer

Connection male thread

Voltage 230VAC

Max. temperature 35 °C

Minimum medium temperature 0 °C  
(continuous)

Press 1 "

Maximum ambient temperature 40 °C

Minimum ambient temperature 0 °C

Type Nova UP 180 M-A

Output Power 0,2 HP

Size 1"

Float included

Power 0.12 kW

MWC 5,2

Ampere 0,9 A

Max flow rate 7 m<sup>3</sup>/h

BEP Capacity 3.2

BEP Head 2.81

PORlh 3.54

PORhh 2.22

PORlq 2.24

PORhq 3.84

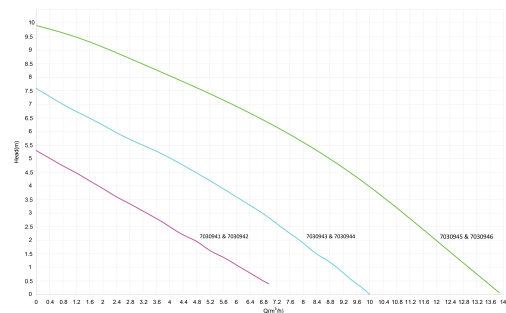
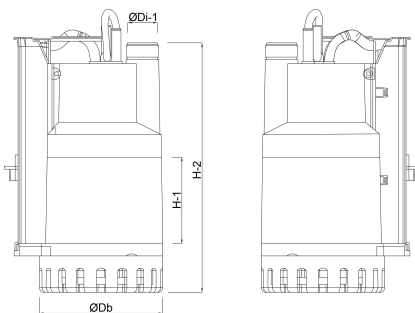
## DIMENSIONS

H-1 75.9 mm

ØDi-1 1 "

H-2 295.3 mm

Db 160 mm



# PRODUCT INFORMATION

Installation: vertical, fixed or portable. Max. immersion depth: 7 metres.

Pump can be used with liquids containing solid particles of up to 10 mm in size.

Suited for narrow well installation requiring automatic suction up to 2/3 mm. Filter is removable.

Dry operation of max. 1 minute.

**Last modified date: 08/11/2025**

Bosta UK Ltd.

Reflection House

Olding Road

Bury St. Edmunds

Suffolk

IP33 3TA

T +44 (0) 1284 716580

E [enquiries@bosta.co.uk](mailto:enquiries@bosta.co.uk)

<http://www.bosta.com>