

**Submersible pump plastic 1" x  
1 1/2" x 1" hose tail x male  
thread x hose tail 3A 230VAC  
blue type IPK 400 (7031122)**



# TECHNICAL SPECIFICATIONS

Colour blue

Type IPK

Material plastic

Output Power 0,53 HP

Pump body plastic

Material impeller 1 noryl

MWC 5 m

Connection hose tail x male thread x hose tail

Type 400

Float included

Voltage 230VAC

Max. temperature 35 °C

Power 0.4 kW

Ampere 3 A

Max flow rate 7.5 m<sup>3</sup>/h

Maximum ambient temperature 40 °C

Size 1" x 1 1/2" x 1"

BEP Capacity 4.8

BEP Head 3.3

PORlh 4.2

PORhh 2.2

PORlq 3.36

PORhq 5.76

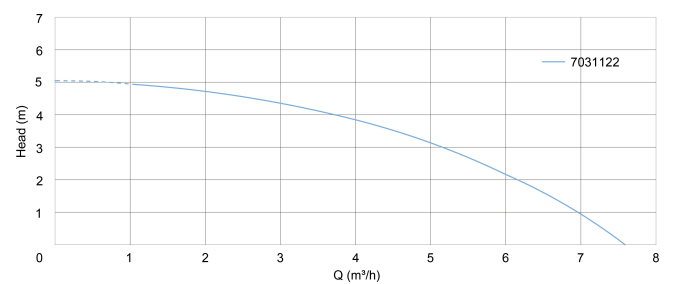
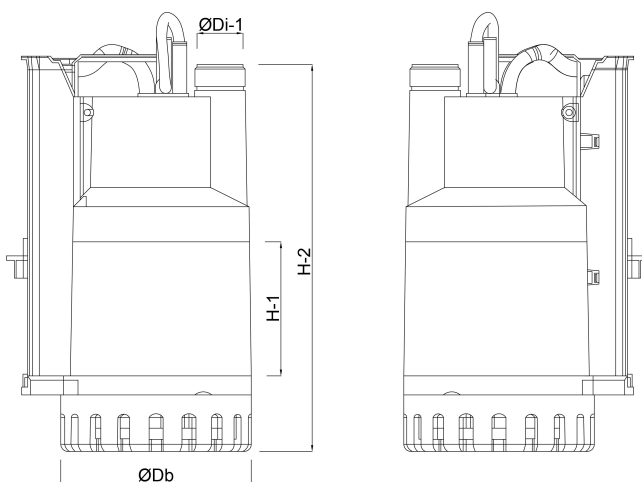
## DIMENSIONS

Db 155 mm

H-1 120 mm

H-2 345 mm

ØDi-1 1 1/2 "



# PRODUCT INFORMATION

For clean water only. Max. immersion depth: 5 metres. Switch is located in the float inside a special chamber and it operates on a vertical position. Installation: vertical, fixed or portable. 8 mtr cable and DIN plug

**Last modified date: 08/05/2026**

Bosta UK Ltd.  
Reflection House  
Olding Road  
Bury St. Edmunds  
Suffolk  
IP33 3TA  
T +44 (0) 1284 716580  
E [enquiries@bosta.co.uk](mailto:enquiries@bosta.co.uk)  
<http://www.bosta.com>