

# Submersible pump 1" x 1 1/2" x 1" hose tail x male thread x hose tail 1,25A 230VAC blue type IP 400 (7031119)



# TECHNICAL SPECIFICATIONS

Type	IP
Material impeller 1	noryl
Connection	hose tail x male thread x hose tail
Float	included
Voltage	230VAC
Max. temperature	35 °C
Maximum ambient temperature 40 °C	
Colour	blue
Pump body	plastic
MWC	5 m
Size	1" x 1 1/2" x 1"
Type	400
Power	0.4 kW
Ampere	1,25 A
Max flow rate	7.5 m <sup>3</sup> /h
BEP Capacity	4.8
BEP Head	3.2

PORlh 4.2

PORhh 2.2

PORlq 3.36

PORhq 5.76

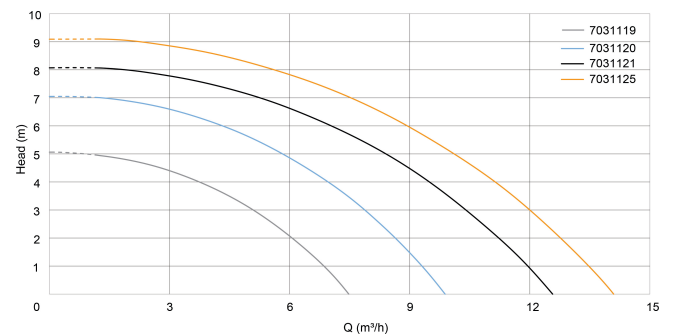
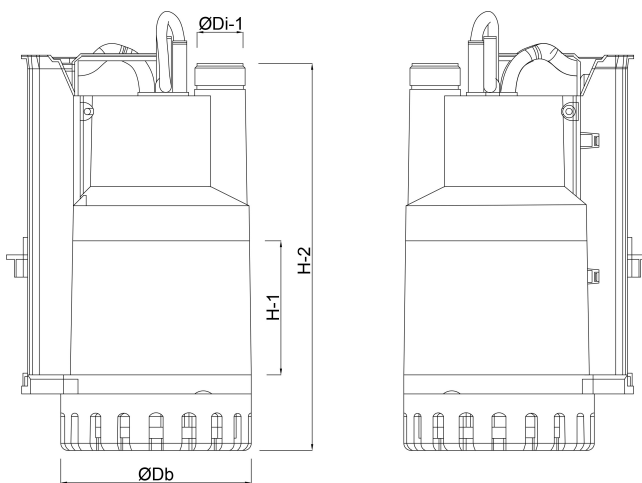
## DIMENSIONS

Db 155 mm

H-1 120 mm

H-2 330 mm

ØDi-1 1 1/2 "



## PRODUCT INFORMATION

For clean water only. Max. immersion depth: 5 metres. 8 mtr cable and DIN plug

**Last modified date: 08/05/2026**

Bosta UK Ltd.  
Reflection House  
Olding Road  
Bury St. Edmunds  
Suffolk  
IP33 3TA  
T +44 (0) 1284 716580  
E [enquiries@bosta.co.uk](mailto:enquiries@bosta.co.uk)  
<http://www.bosta.com>