

# Foras Multi-stage centrifugal pump cast iron 1 1/4" female thread 4,1A 230/400VAC blue type P7SV - 250/5T (0920431)



# TECHNICAL SPECIFICATIONS

|   |                     |
|---|---------------------|
| Colour                                  | blue                |
| Material                                | cast iron           |
| Shaft                                   | stainless steel 304 |
| Pump body                               | cast iron           |
| Material impeller 1                     | noryl               |
| Connection                              | female thread       |
| Voltage                                 | 230/400VAC          |
| Max. temperature                        | 35 °C               |
| Minimum medium temperature (continuous) | 5 °C                |
| Press                                   | 1 1/4 "             |
| Maximum ambient temperature             | 40 °C               |
| Suction                                 | 1 1/4 "             |
| Type                                    | P7SV - 250/5T       |
| Output Power                            | 2,5 HP              |
| Max. head                               | 60,3 m              |
| Material seal                           | ceramic/graphite    |

|               |                        |
|---------------|------------------------|
| Size          | 1 1/4"                 |
| Seal          | type M                 |
| Power         | 1.85 kW                |
| Impellers     | 5                      |
| Ampere        | 4,1 A                  |
| Max flow rate | 10.8 m <sup>3</sup> /h |

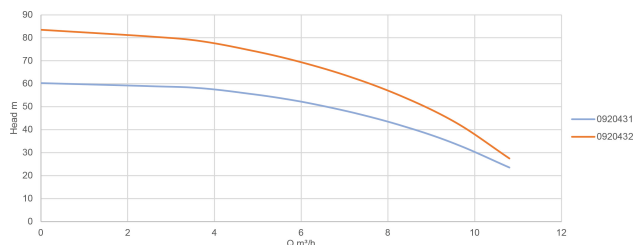
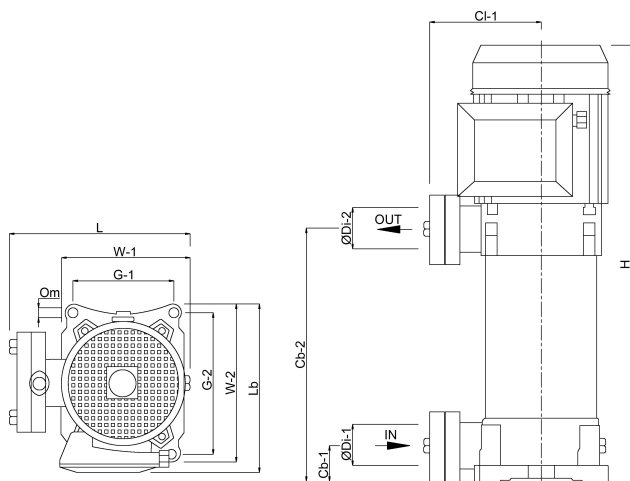
## DIMENSIONS

|      |          |
|------|----------|
| Cb-1 | 40 mm    |
| Cb-2 | 202 mm   |
| Cl-1 | 135 mm   |
| G-1  | 125 mm   |
| G-2  | 178.5 mm |
| H    | 473 mm   |
| H-2  | 220 mm   |
| L    | 229 mm   |
| Lb   | 220 mm   |
| O    | 11 mm    |
| W-1  | 162 mm   |

W-2 204 mm

ØDi-1 1 1/4 "

ØDi-2 1 1/4 "



## PRODUCT INFORMATION

Multistage vertical pumps. Pumping of clean non-loaded fluids in the domestic, agricultural and industrial sectors; pressurising systems; irrigation; drinking and glycol water; water treatment; food industry; heating and air conditioning; washing system.

Maximum liquid temperature: from - 15 to 90°C.

Ambient temperature: max 40°C.

Insulation class F; protection degree IP 44.

Supplied without cable.

**Last modified date: 12/06/2026**

Bosta UK Ltd.  
Reflection House  
Olding Road  
Bury St. Edmunds  
Suffolk

IP33 3TA  
T +44 (0) 1284 716580  
E [enquiries@bosta.co.uk](mailto:enquiries@bosta.co.uk)  
<http://www.bosta.com>