

**Ball valve PVC-U 3/4" female
thread 10bar DN20 grey type
AK (0161511)**



TECHNICAL SPECIFICATIONS

Colour grey

Type AK

Material PVC-U

Operation lever

Colour lever red

Handle material PVC-U

Housing construction 3-part

Material housing PVC-U

Material seal PE/EPDM

Connection female thread

Max. temperature 60 °C

Minimum medium temperature 0 °C
(continuous)

Pressure 10 bar

Size 3/4"

DN 20

DIMENSIONS

Lb 111 mm

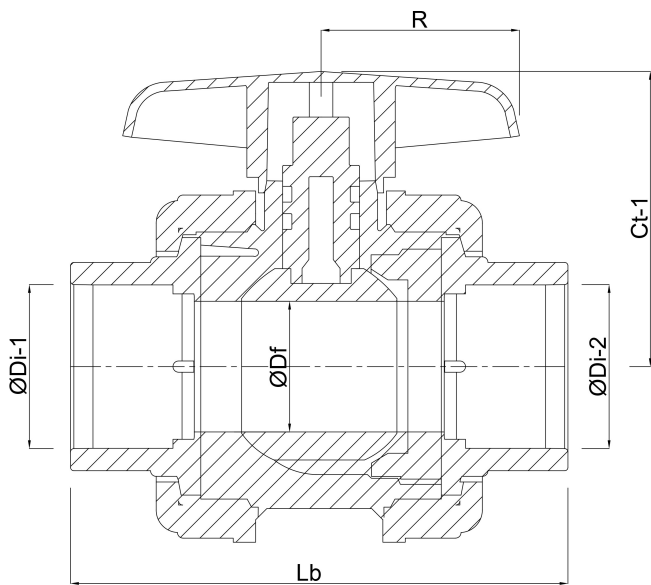
ØDi-1 3/4 "

ØDi-2 3/4 "

Ct-1 65 mm

R 45 mm

ØDf 20 mm



Last modified date: 31/10/2025

Bosta UK Ltd.
Reflection House
Olding Road
Bury St. Edmunds

Suffolk
IP33 3TA
T +44 (0) 1284 716580
E enquiries@bosta.co.uk
<http://www.bosta.com>