

**VIR Ball valve brass chrome  
plated 3/4" female thread  
40bar WRAS/VA type 340B  
(0400972)**



# TECHNICAL SPECIFICATIONS

|   |                          |
|---|--------------------------|
| Type                                    | 340B                     |
| Material                                | brass                    |
| Surface treatment                       | chrome plated            |
| Approval                                | WRAS/VA                  |
| Operation                               | lever                    |
| Colour lever                            | blue                     |
| Handle material                         | dacromet steel           |
| Housing construction                    | 2-part                   |
| Ball material                           | hard chrome plated brass |
| Material housing                        | brass                    |
| Material seal                           | PTFE                     |
| Connection                              | female thread            |
| Max. temperature                        | 150 °C                   |
| Minimum medium temperature (continuous) | 0 °C                     |
| Flow                                    | full                     |
| Temperature range                       | 0°C - 150°C              |

Size 3/4"

Pressure 40 bar

## DIMENSIONS

Handle height 57

Lb 58 mm

ØDi-1 3/4 "

ØDi-2 3/4 "

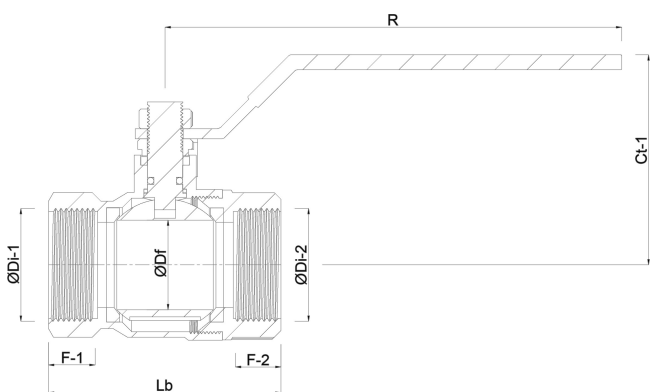
F-1 12 mm

F-2 12 mm

Ct-1 57 mm

R 91.5 mm

ØDf 20 mm



**Last modified date: 04/11/2025**

Bosta UK Ltd.  
Reflection House  
Olding Road  
Bury St. Edmunds  
Suffolk  
IP33 3TA  
T +44 (0) 1284 716580  
E [enquiries@bosta.co.uk](mailto:enquiries@bosta.co.uk)  
<http://www.bosta.com>