

**Profec Nr. 40 Bend 45° cast iron  
galvanised 3/8" female thread  
x male thread 25bar DVGW  
(1004002)**

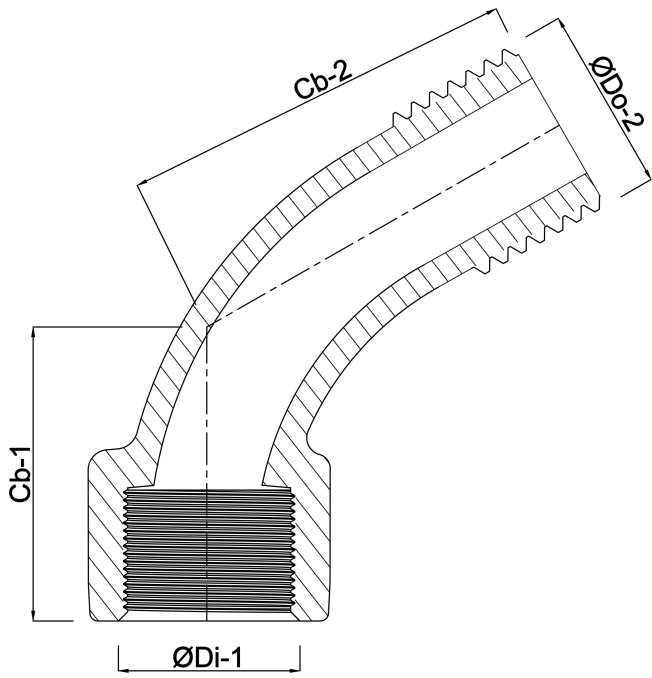


# TECHNICAL SPECIFICATIONS

Material	cast iron
Surface treatment	galvanised
Approval	DVGW
Connection	female thread x male thread
Fitting nr.	Nr. 40
Temperature range	-20°C - 120°C
Pressure	25 bar
Size	3/8"

## DIMENSIONS

ØDi-1	3/8 "
ØDo-2	3/8 "
F-1	12 mm
F-2	12 mm
Cb-1	30 mm
Cb-2	30 mm
β	45 °



**Last modified date: 05/11/2025**

Bosta UK Ltd.  
Reflection House  
Olding Road  
Bury St. Edmunds  
Suffolk  
IP33 3TA  
T +44 (0) 1284 716580  
E [enquiries@bosta.co.uk](mailto:enquiries@bosta.co.uk)  
<http://www.bosta.com>