

**VIR Ball valve brass chrome  
plated 1 1/2" male thread  
40bar WRAS/VA type K348  
(0401270)**



# TECHNICAL SPECIFICATIONS

Type	K348
Material	brass
Surface treatment	chrome plated
Approval	WRAS/VA
Operation	lever
Colour lever	red
Handle material	dacromet steel
Housing construction	2-part
Ball material	hard chrome plated brass
Material housing	brass
Material seal	PTFE
Connection	male thread
Flow	full
Temperature range	0°C - 150°C
Pressure	40 bar
Size	1 1/2"

# DIMENSIONS

Handle height 79

Lb 116 mm

ØDo-1 1 1/2 "

ØDo-2 1 1/2 "

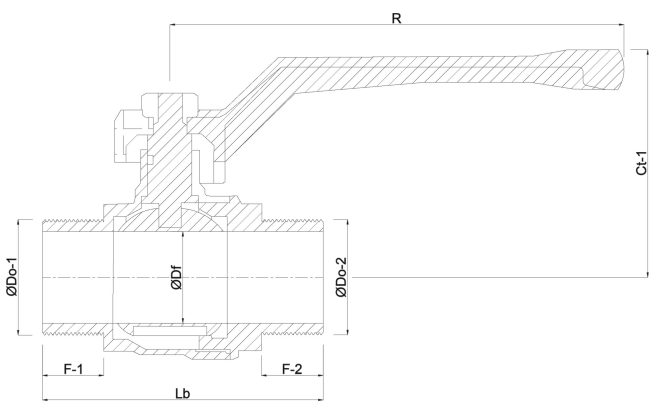
F-1 19 mm

F-2 19 mm

Ct-1 79 mm

R 141.5 mm

ØDf 40 mm



**Last modified date: 12/02/2026**

Bosta UK Ltd.  
Reflection House

Olding Road  
Bury St. Edmunds  
Suffolk  
IP33 3TA  
T +44 (0) 1284 716580  
E [enquiries@bosta.co.uk](mailto:enquiries@bosta.co.uk)  
<http://www.bosta.com>